



Zenith® Fenestrated

AAA ENDOVASCULAR GRAFT

DEVICE ORDER FORM

**FAX COMPLETED FORMS TO:
COOK ENDOVASCULAR THERAPY PRODUCTS (EUROPE) +45 56 86 85 28**

ALL information must be complete:

Date: _____ Patient ID: _____

Hospital: _____ Physician Name: _____

Physician Signature: _____ Physician Phone #: _____

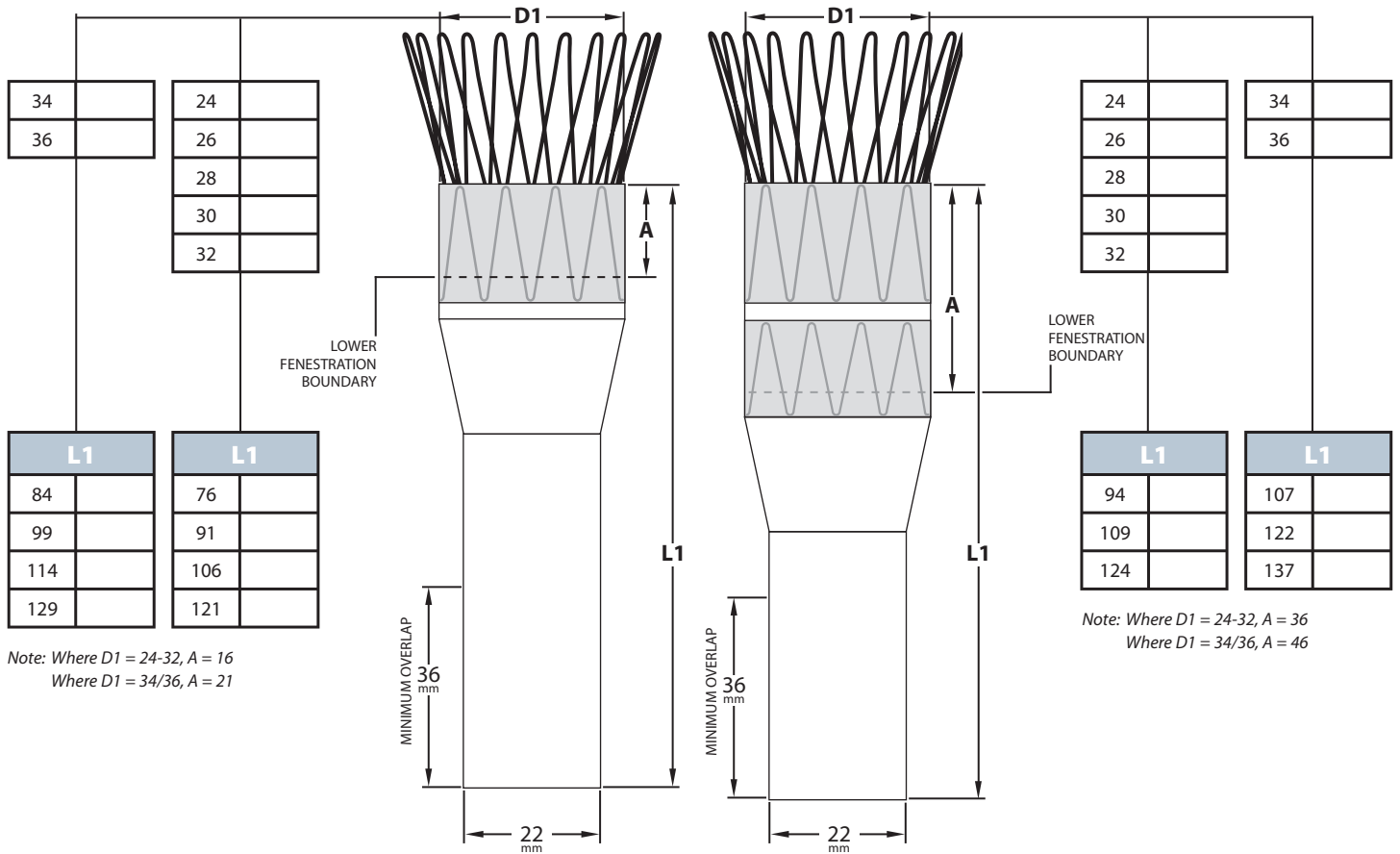
Physician email: _____

PROXIMAL BODY

One Internal Sealing Stent

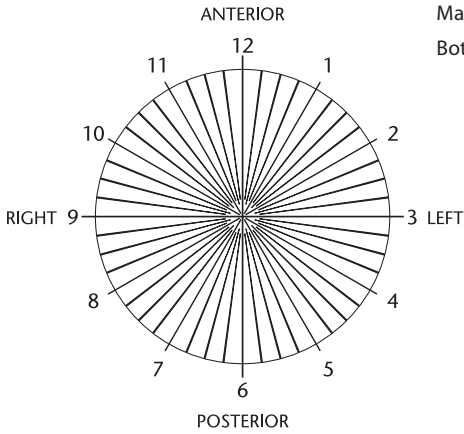
or

Two Internal Sealing Stents



ZFEN-P- - -

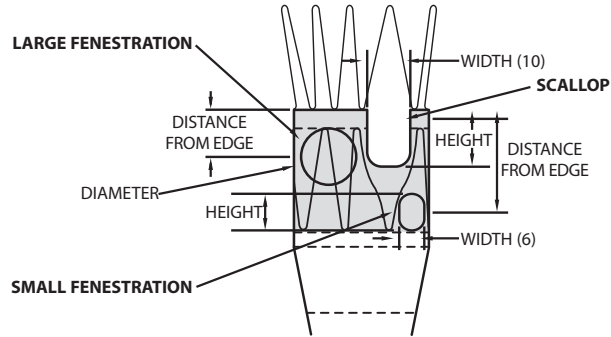
CLOCK POSITION



Clock positions are in 15 min increments.

GENERAL NOTES:

Maximum number of fenestrations is 3. Maximum number of any particular type of fenestration is 2. Bottom edge of all fenestrations must be within "A" dimension (see page 1). All measurements are in mm.



REINFORCED SCALLOP FENESTRATION:

All scallops are 10 mm wide.
Height ranges from 6 to 12 mm.

	#1	#2
Height		
Clock Position		

REINFORCED LARGE FENESTRATION:

Diameters range from 8 to 12 mm.
Stent struts may cross large fenestration.
Distance from center to edge must be ≥ 10 mm.

	#1	#2
Diameter		
Distance from edge		
Clock Position		

REINFORCED SMALL FENESTRATION:

All small fenestrations are 6 mm wide.
Heights are either 6 or 8 mm.
Distance from center to proximal edge must be ≥ 15 mm.

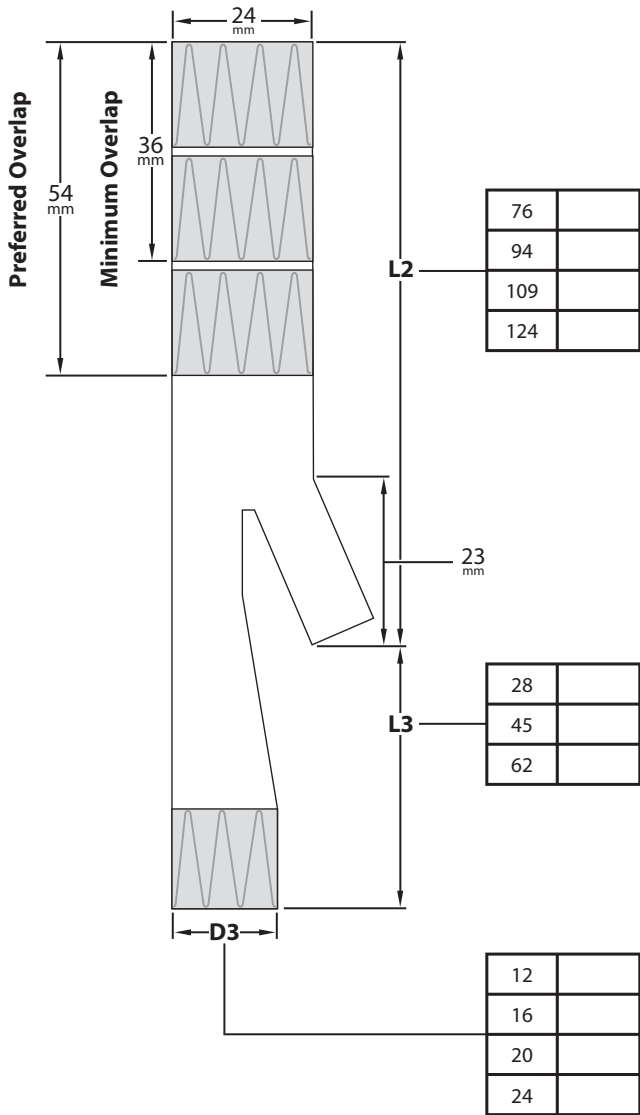
	#1	#2
Height		
Distance from edge		
Clock Position		

INNER AORTIC VESSEL DIAMETER AT LEVEL OF FENESTRATION*

ALPHA CODE - - - -

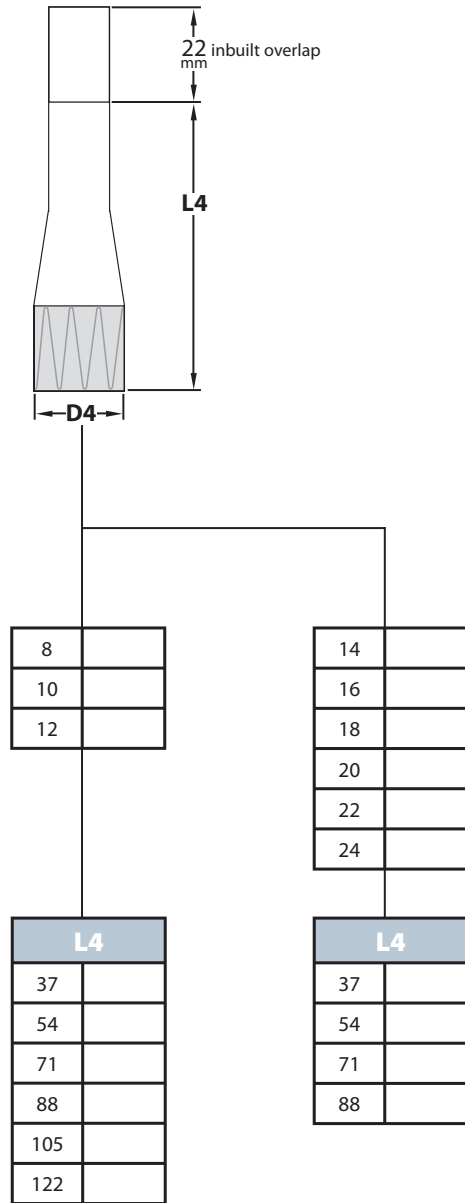
(For COOK internal use only)

DISTAL BODY



NOTE:
24 is not available
when L3 = 28 mm

CONTRALATERAL LEG



ZFEN - D - - -

TFLE - -